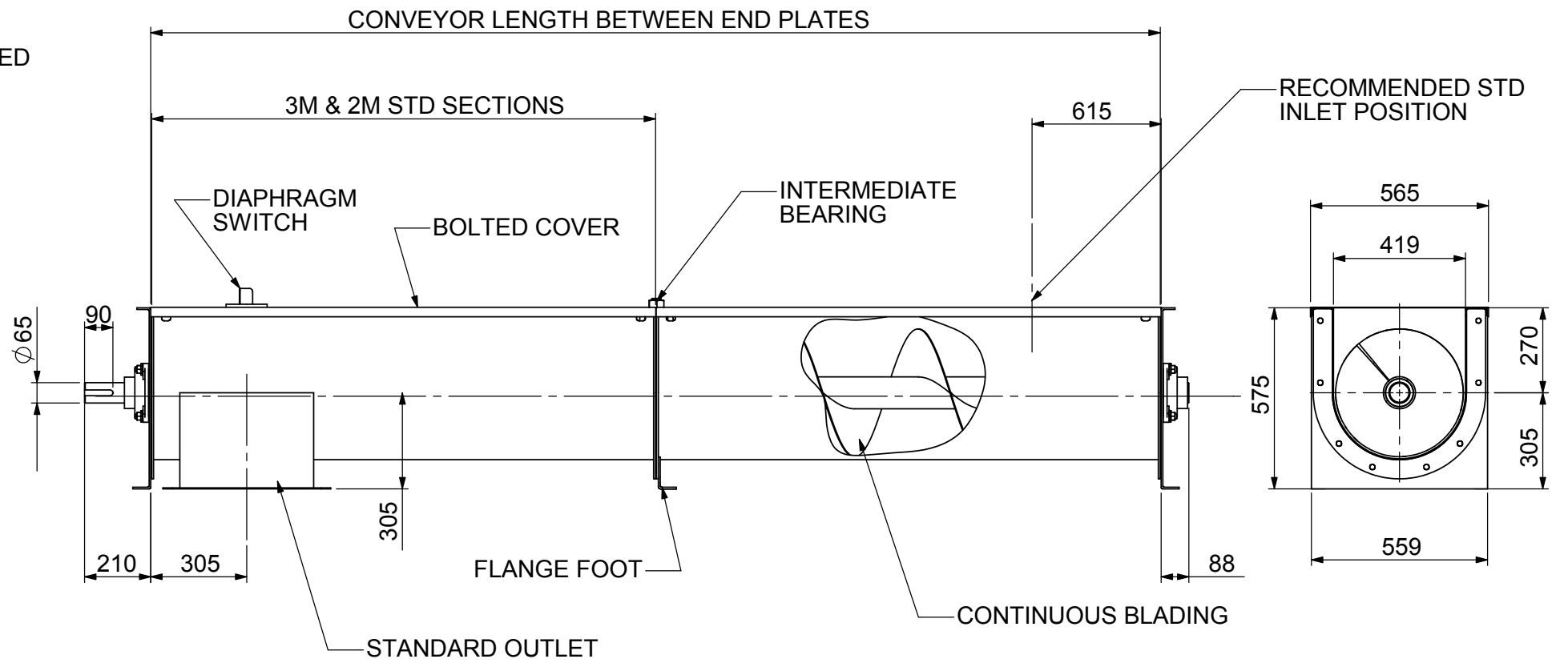
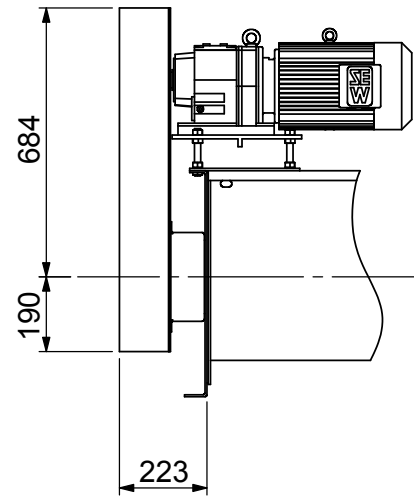
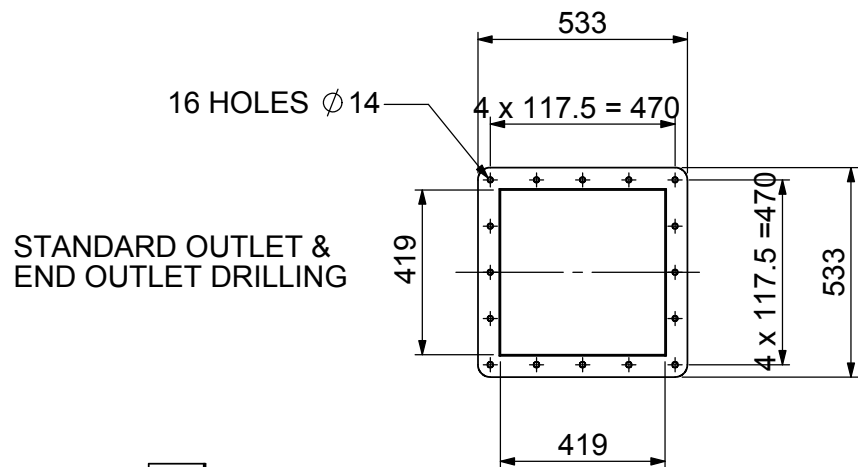


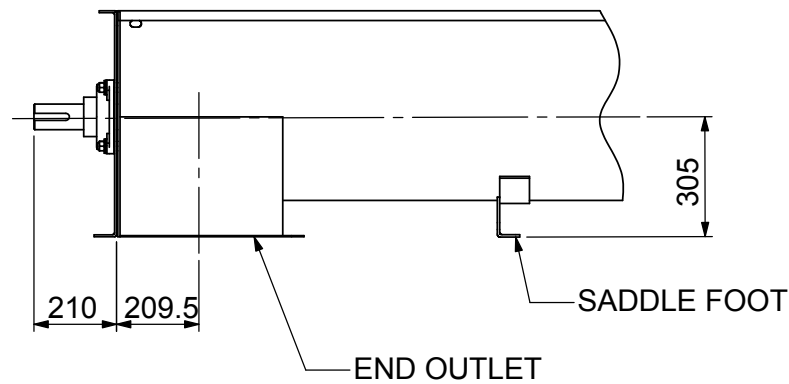
STANDARD TOP MOUNTED DRIVE ASSY



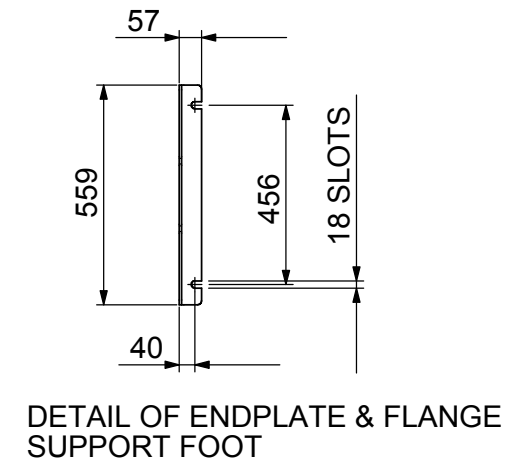
RECOMMENDED STD INLET POSITION



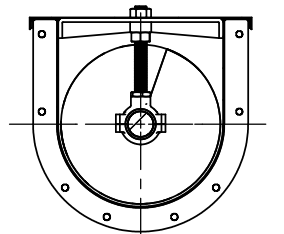
STANDARD OUTLET & END OUTLET DRILLING



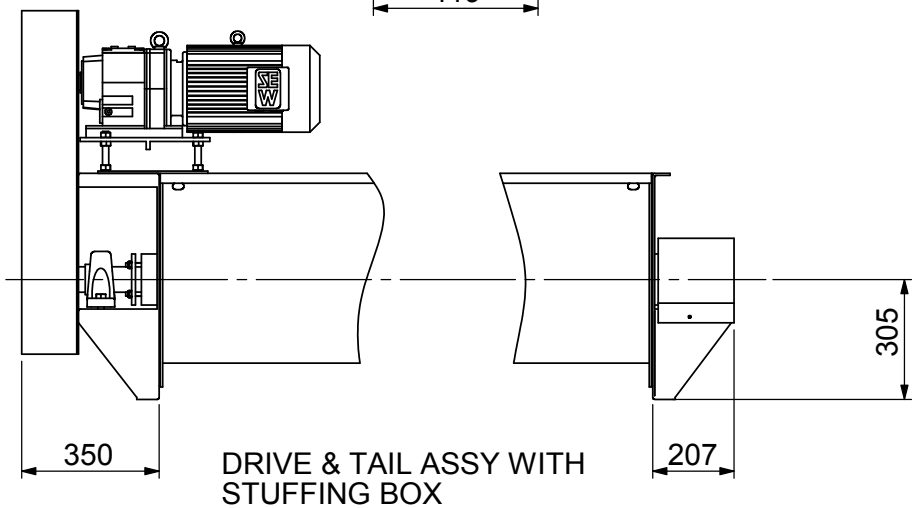
END OUTLET



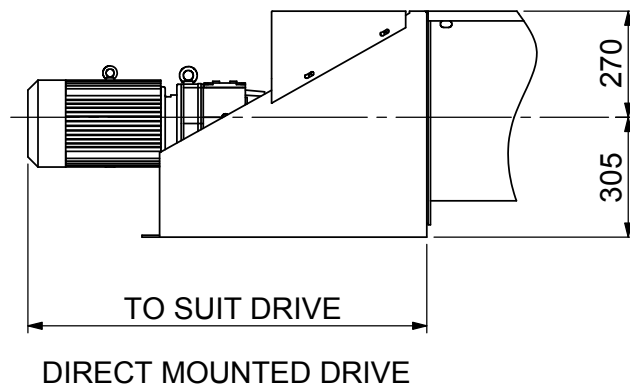
DETAIL OF ENDPLATE & FLANGE SUPPORT FOOT



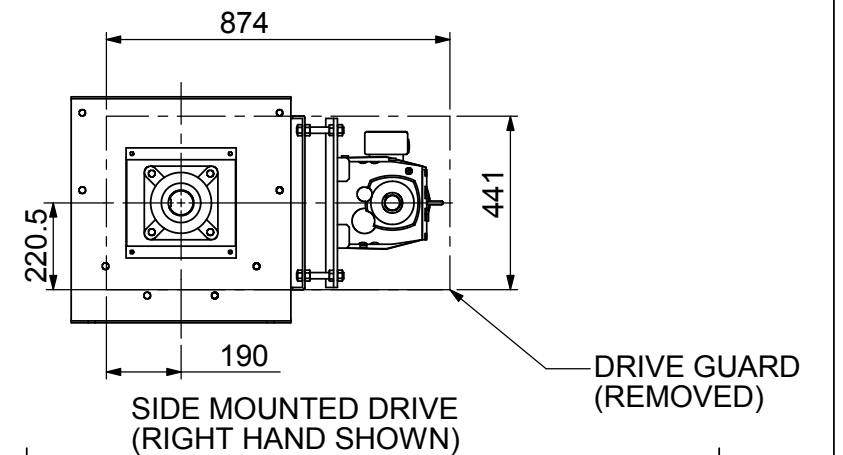
INTERMEDIATE BEARING ADJUSTABLE TYPE



DRIVE & TAIL ASSY WITH STUFFING BOX



DIRECT MOUNTED DRIVE



SIDE MOUNTED DRIVE (RIGHT HAND SHOWN)

DRIVE GUARD (REMOVED)

NOTES
ALL DIMENSIONS IN MILLIMETERS
UNLESS OTHERWISE SPECIFIED

DO NOT SCALE DRAWING
IF IN DOUBT CONSULT D.O.

DOWSON HANDLING

GREEN END, GAMLINGAY, SANDY, BEDFORDSHIRE. SG19 3LA.
TEL: 01767 650294 FAX: 01767 651149



AVAILABLE IN :-

NORMAL & HEAVY DUTY
MILD & STAINLESS STEEL

FINISH	SCALE	DRAWN	DATE
MATL		RRW	150903
		APPROVED	DATE

REV	DATE	AMENDMENT	SIG
DRAWING No. SC16M-PI			
TITLE			
SIZE 400 SCREW CONVEYOR PLANNING-IN SHEET			