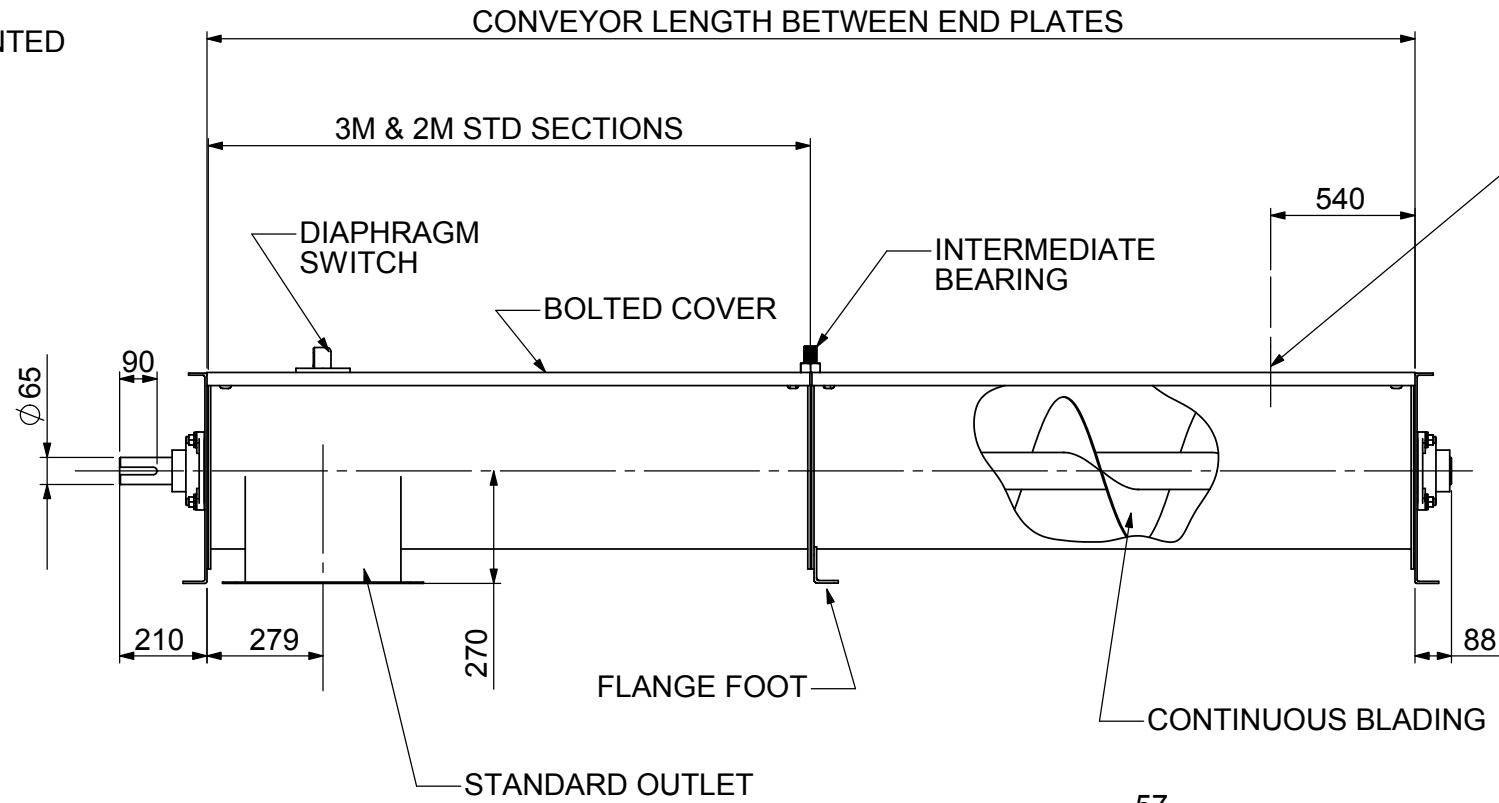
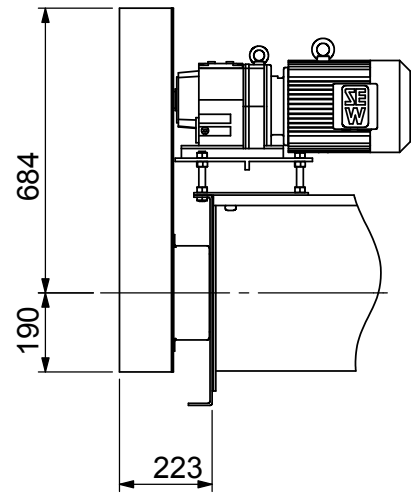
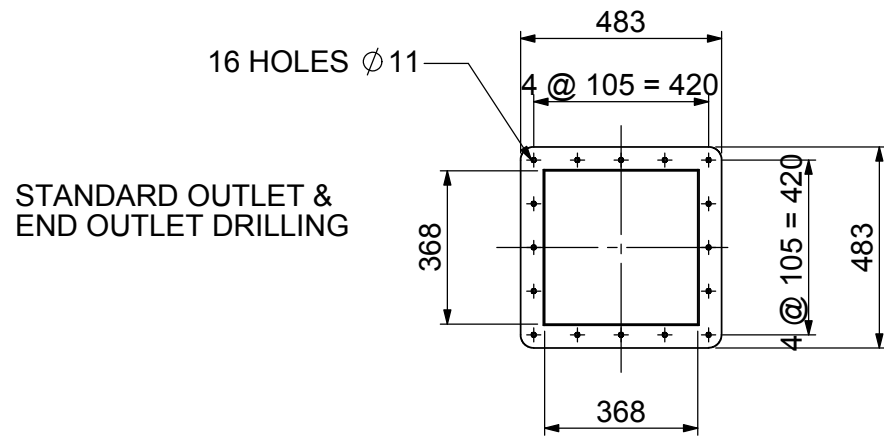
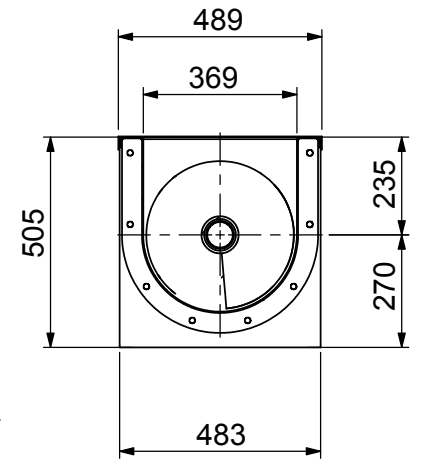


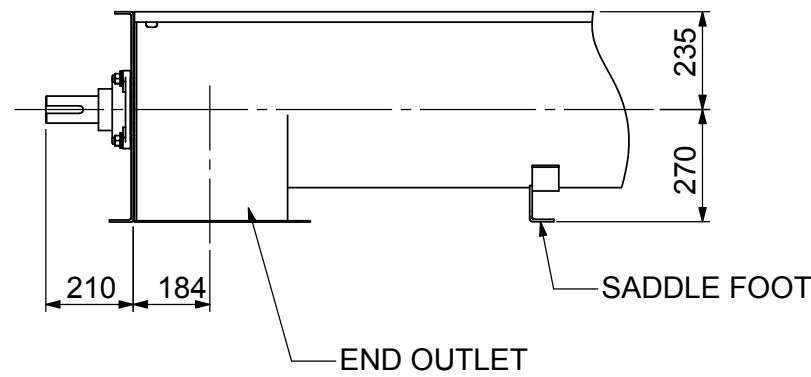
STANDARD TOP MOUNTED DRIVE ASSY



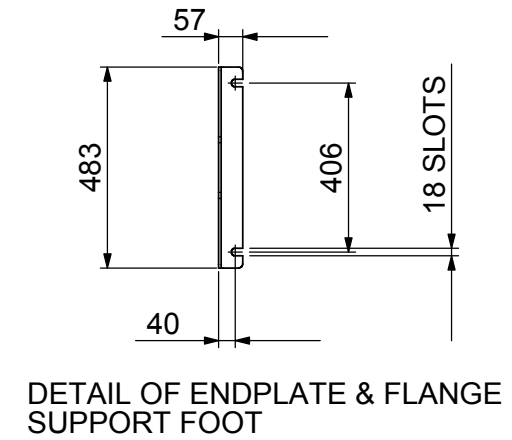
RECOMMENDED STD INLET POSITION



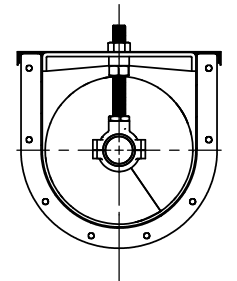
STANDARD OUTLET & END OUTLET DRILLING



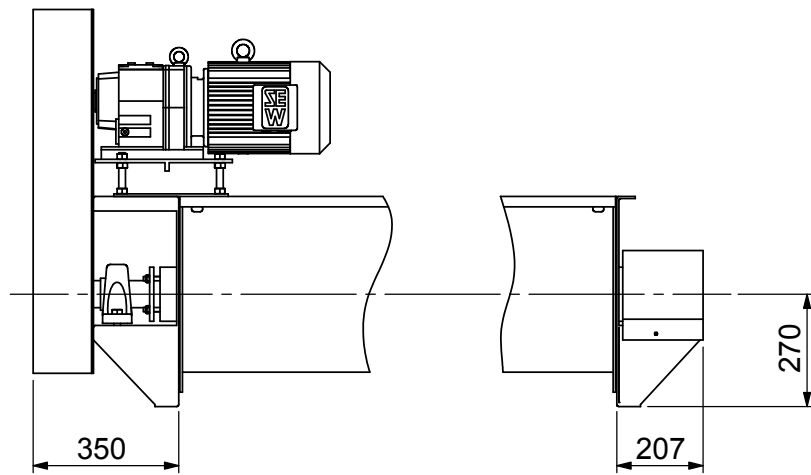
END OUTLET



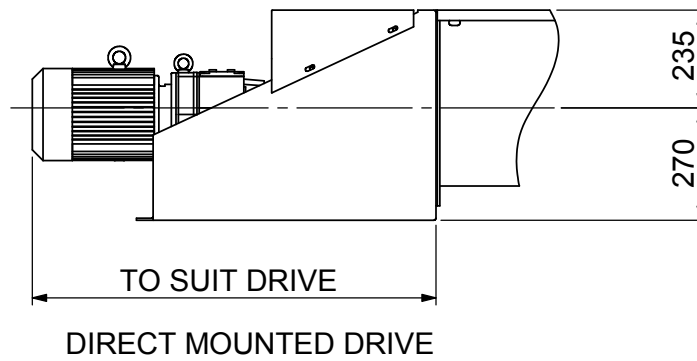
DETAIL OF ENDPLATE & FLANGE SUPPORT FOOT



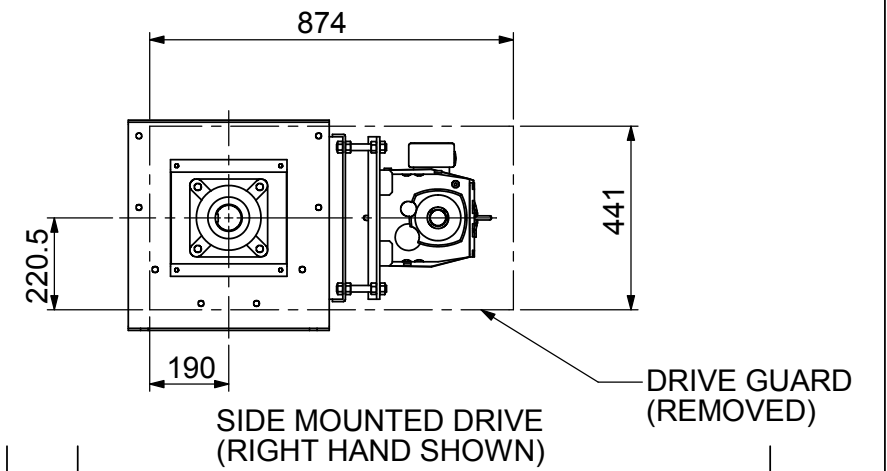
INTERMEDIATE BEARING ADJUSTABLE TYPE



DRIVE & TAIL ASSY WITH STUFFING BOXES



DIRECT MOUNTED DRIVE



SIDE MOUNTED DRIVE (RIGHT HAND SHOWN)

DRIVE GUARD (REMOVED)

NOTES  
ALL DIMENSIONS IN MILLIMETERS  
UNLESS OTHERWISE SPECIFIED  
  
DO NOT SCALE DRAWING  
IF IN DOUBT CONSULT D.O.

**DOWSON HANDLING**

GREEN END, GAMLINGAY, SANDY, BEDFORDSHIRE. SG19 3LA.  
TEL: 01767 650294 FAX: 01767 651149



AVAILABLE IN :-

NORMAL & HEAVY DUTY  
MILD & STAINLESS STEEL

FINISH  
MATL

SCALE

DRAWN  
RRW  
APPROVED

DATE  
150903  
DATE

REV	DATE	AMENDMENT	SIG

DRAWING No.	SC14M-PI
TITLE	SIZE 355 SCREW CONVEYOR PLANNING-IN SHEET