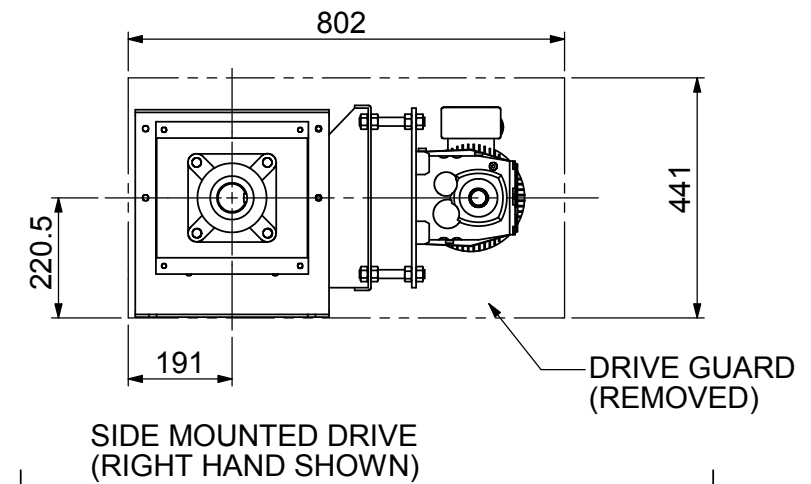
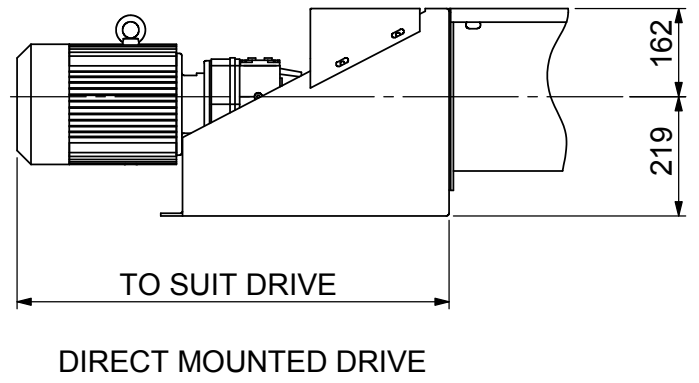
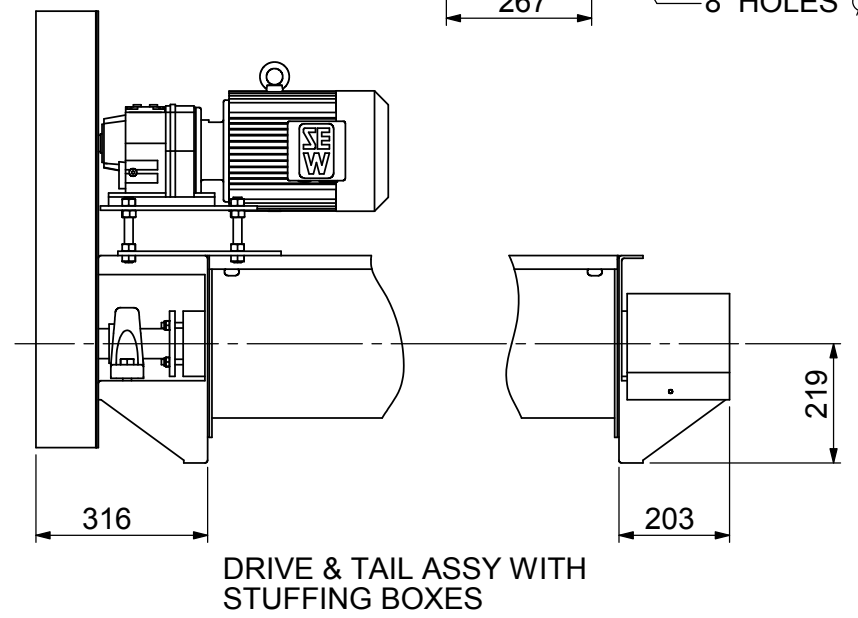
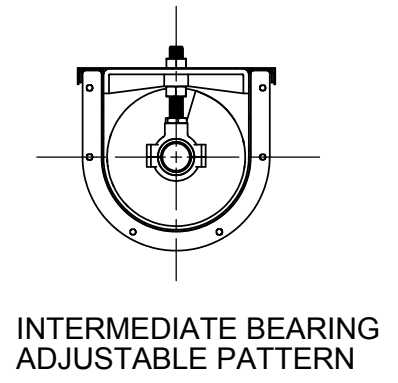
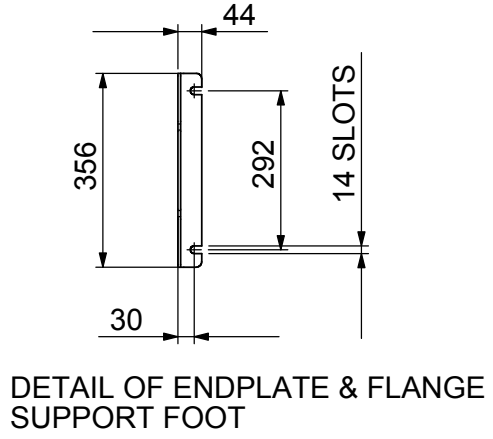
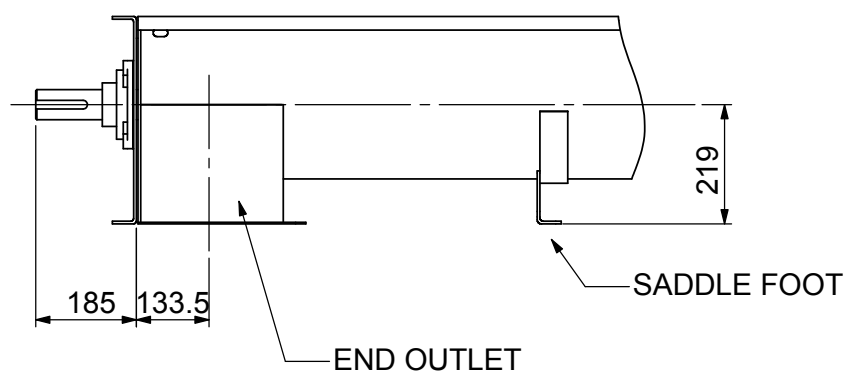
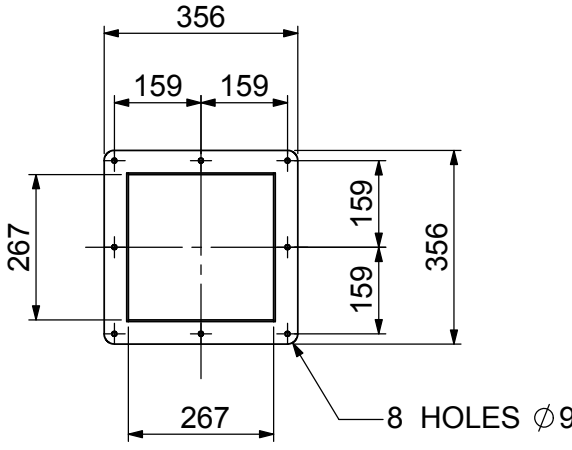


STANDARD OUTLET & END OUTLET DRILLING



NOTES
ALL DIMENSIONS IN MILLIMETERS
UNLESS OTHERWISE SPECIFIED

DO NOT SCALE DRAWING
IF IN DOUBT CONSULT D.O.

DOWSON HANDLING
GREEN END, GAMLINGAY, SANDY, BEDFORDSHIRE. SG19 3LA.
TEL: 01767 650294 FAX: 01767 651149



AVAILABLE IN :-
NORMAL & HEAVY DUTY
MILD & STAINLESS STEEL

FINISH	SCALE	DRAWN	DATE
MATL	APPROVED	RRW	090903
			DATE

REV	DATE	AMENDMENT	SIG
DRAWING No.		SC10M-PI	
TITLE			
SIZE 250 SCREW CONVEYOR PLANNING-IN PRINT			