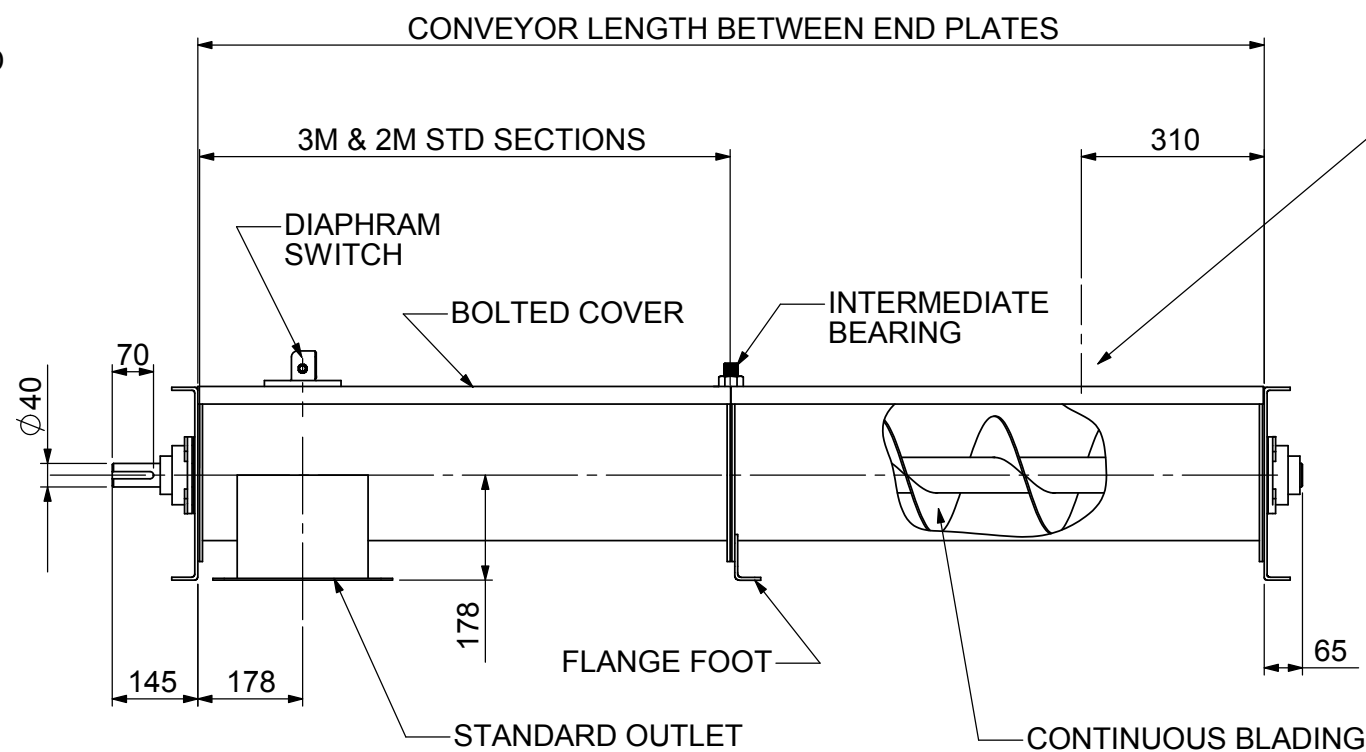
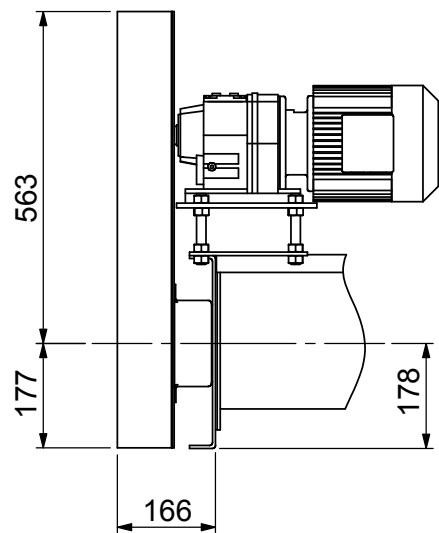
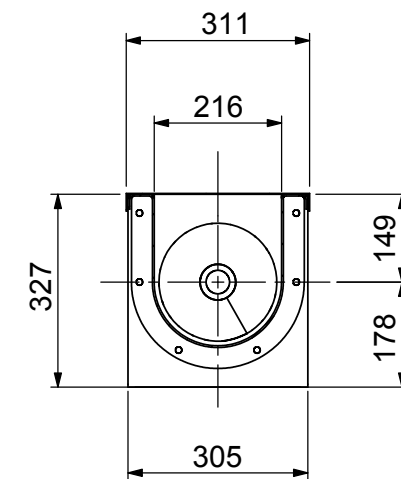


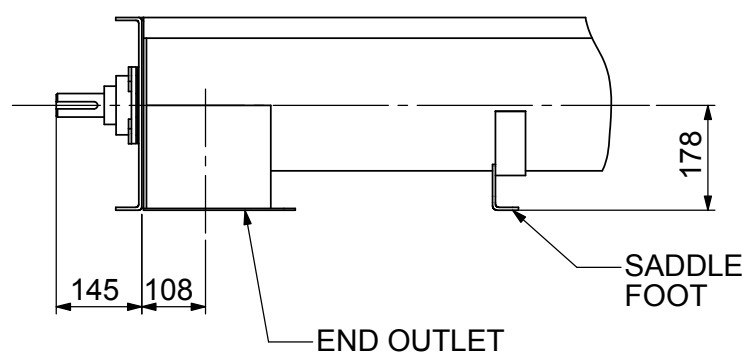
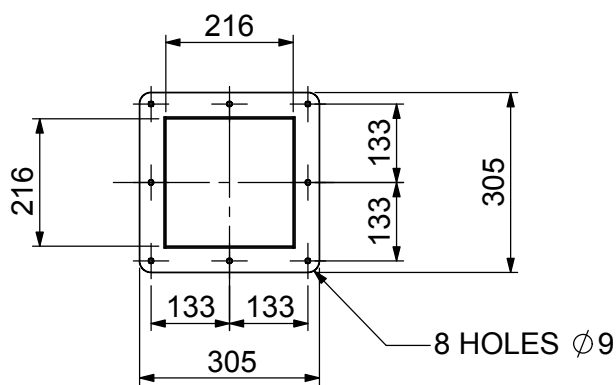
STANDARD TOP MOUNTED DRIVE ASSY



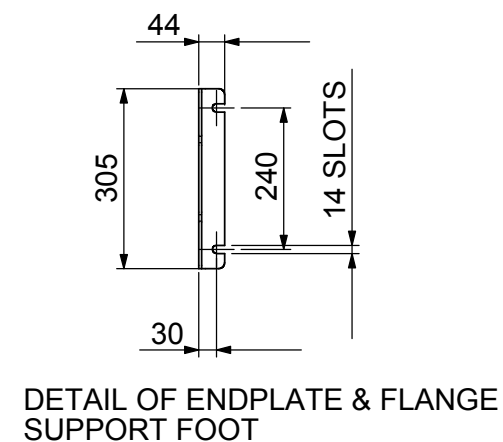
RECOMMENDED STD INLET POSITION



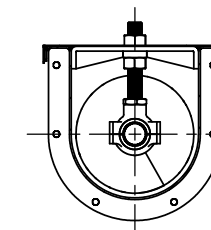
STANDARD OUTLET & END OUTLET DRILLING



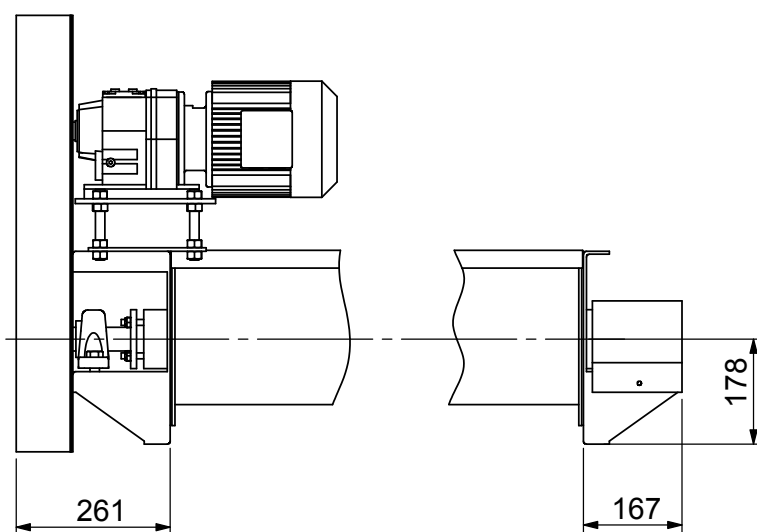
END OUTLET



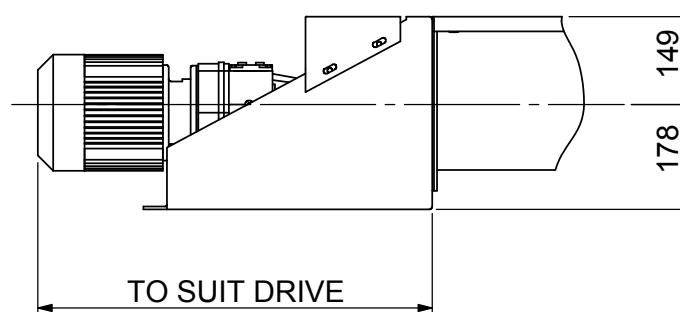
DETAIL OF ENDPLATE & FLANGE SUPPORT FOOT



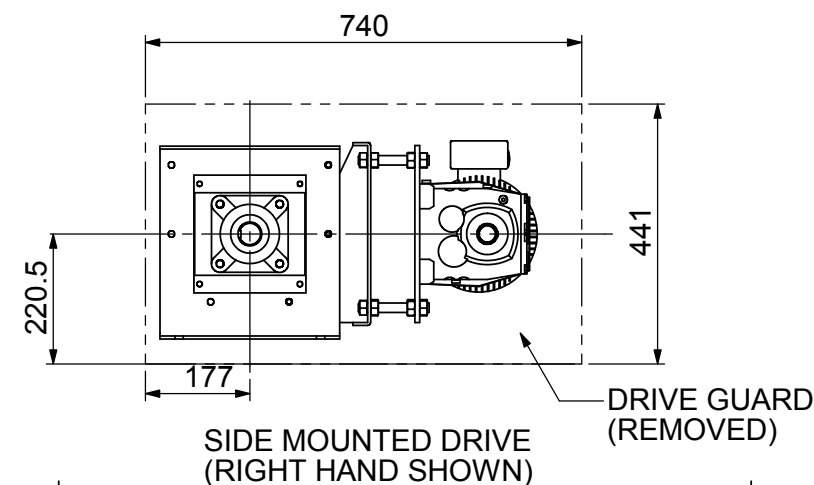
INTERMEDIATE BEARING ADJUSTABLE PATTERN



DRIVE & TAIL ASSY WITH STUFFING BOXES



DIRECT MOUNTED DRIVE



SIDE MOUNTED DRIVE (RIGHT HAND SHOWN)

NOTES
ALL DIMENSIONS IN MILLIMETERS
UNLESS OTHERWISE SPECIFIED

DO NOT SCALE DRAWING
IF IN DOUBT CONSULT D.O.

DOWSON HANDLING

GREEN END, GAMLINGAY, SANDY, BEDFORDSHIRE. SG19 3LA.
TEL: 01767 650294 FAX: 01767 651149



AVAILABLE IN :-

NORMAL & HEAVY DUTY
MILD & STAINLESS STEEL

FINISH	SCALE	DRAWN	DATE
MATL		RRW	300603
		APPROVED	DATE

REV	DATE	AMENDMENT	SIG
DRAWING No.		SC08M-PI	
TITLE		SIZE 200 SCREW CONVEYOR PLANNING-IN PRINT	