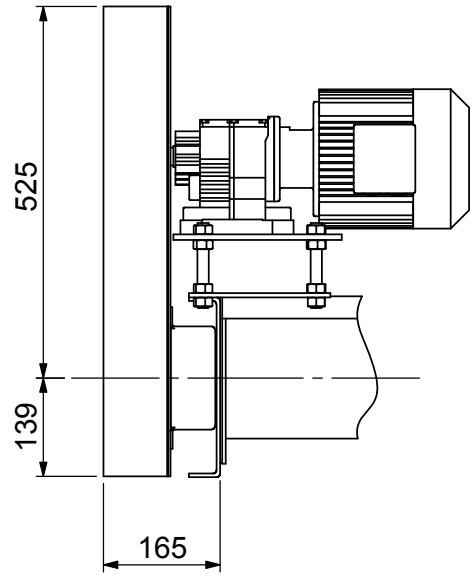
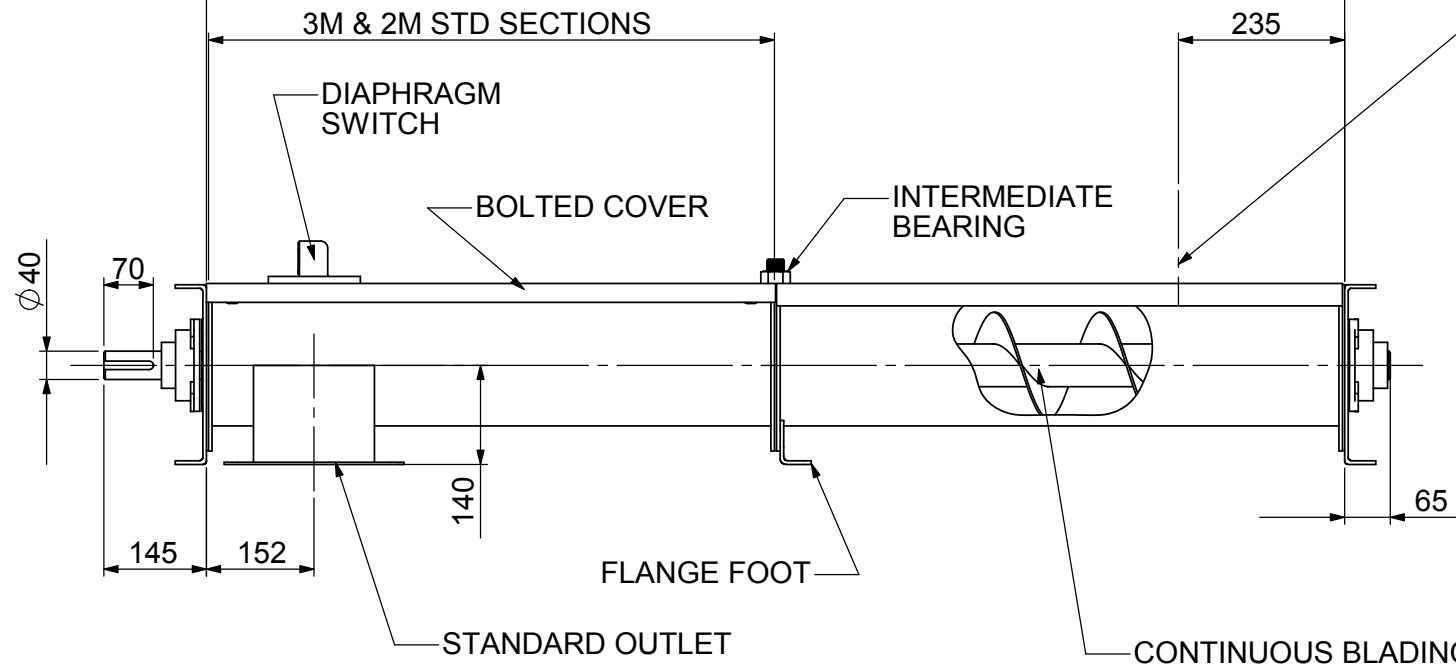


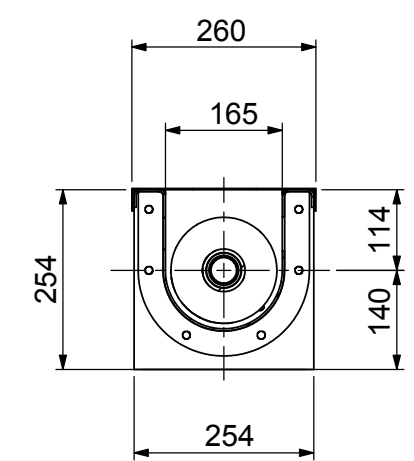
STANDARD TOP MOUNTED DRIVE ASSY



CONVEYOR LENGTH BETWEEN END PLATES

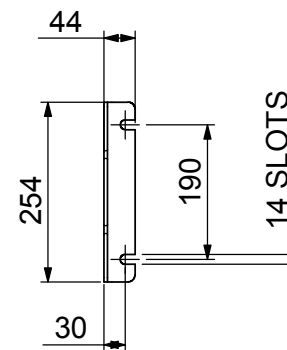
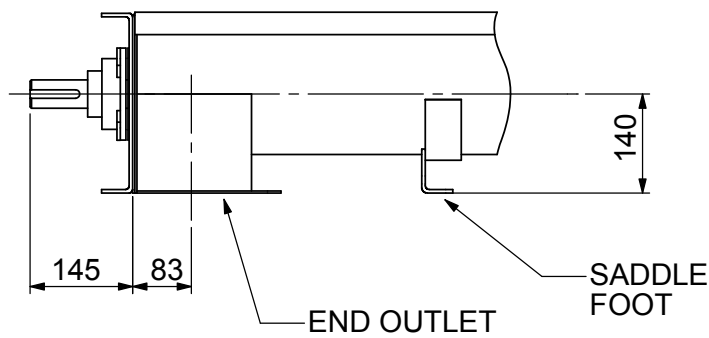
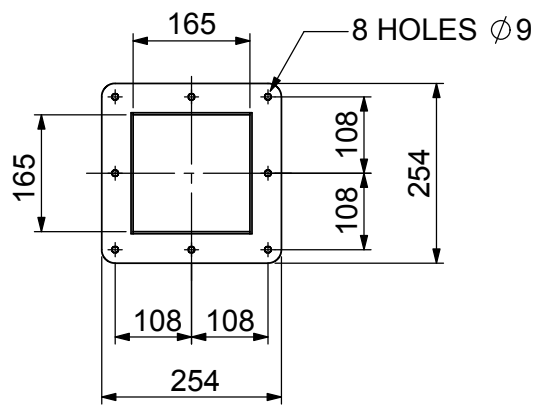


RECOMMENDED STD INLET POSITION

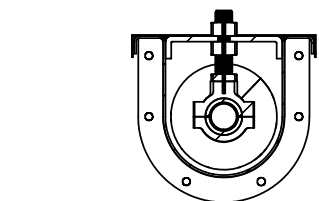


NOTE! CHAIN GUARD MAY INCREASE IN SIZE ON HIGH TORQUE APPLICATIONS

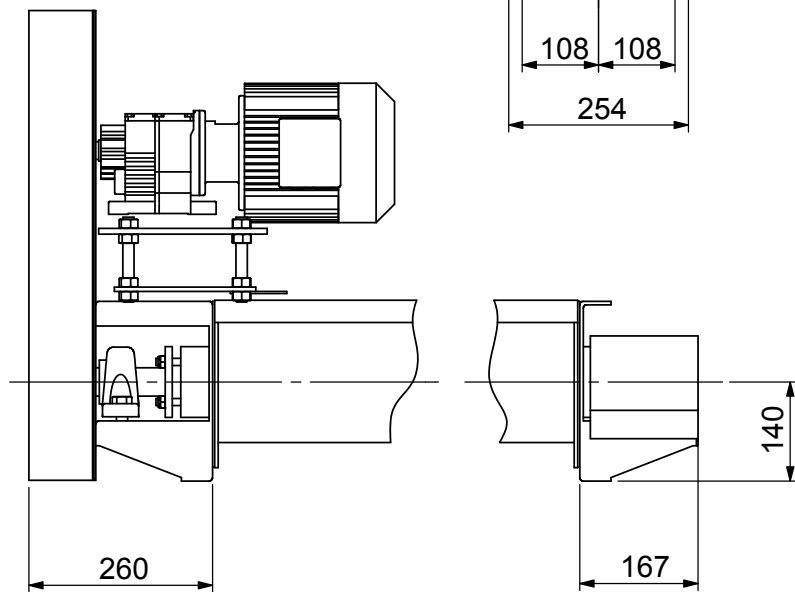
STANDARD OUTLET & END OUTLET DRILLING



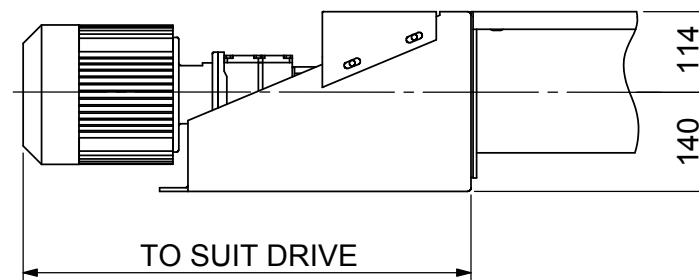
DETAIL OF ENDPLATE & FLANGE SUPPORT FOOT



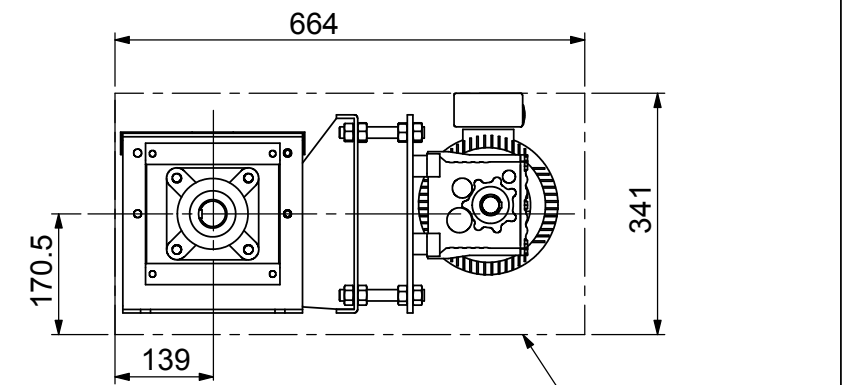
INTERMEDIATE BEARING ADJUSTABLE PATTERN



DRIVE & TAIL ASSY WITH STUFFING BOXES



DIRECT MOUNTED DRIVE



SIDE MOUNTED DRIVE (RIGHT HAND SHOWN)

DRIVE GUARD (REMOVED)

NOTES
ALL DIMENSIONS IN MILLIMETERS
UNLESS OTHERWISE SPECIFIED

DO NOT SCALE DRAWING
IF IN DOUBT CONSULT D.O.

DOWSON HANDLING

GREEN END, GAMLINGAY, SANDY, BEDFORDSHIRE. SG19 3LA.
TEL: 01767 650294 FAX: 01767 651149



AVAILABLE IN :-

NORMAL & HEAVY DUTY
MILD & STAINLESS STEEL

FINISH

SCALE

DRAWN
RRW

DATE
300603

MATL

APPROVED

DATE

REV	DATE	AMENDMENT	SIG

DRAWING No. SC06M-PI

TITLE
SIZE 160 SCREW CONVEYOR PLANNING-IN PRINT