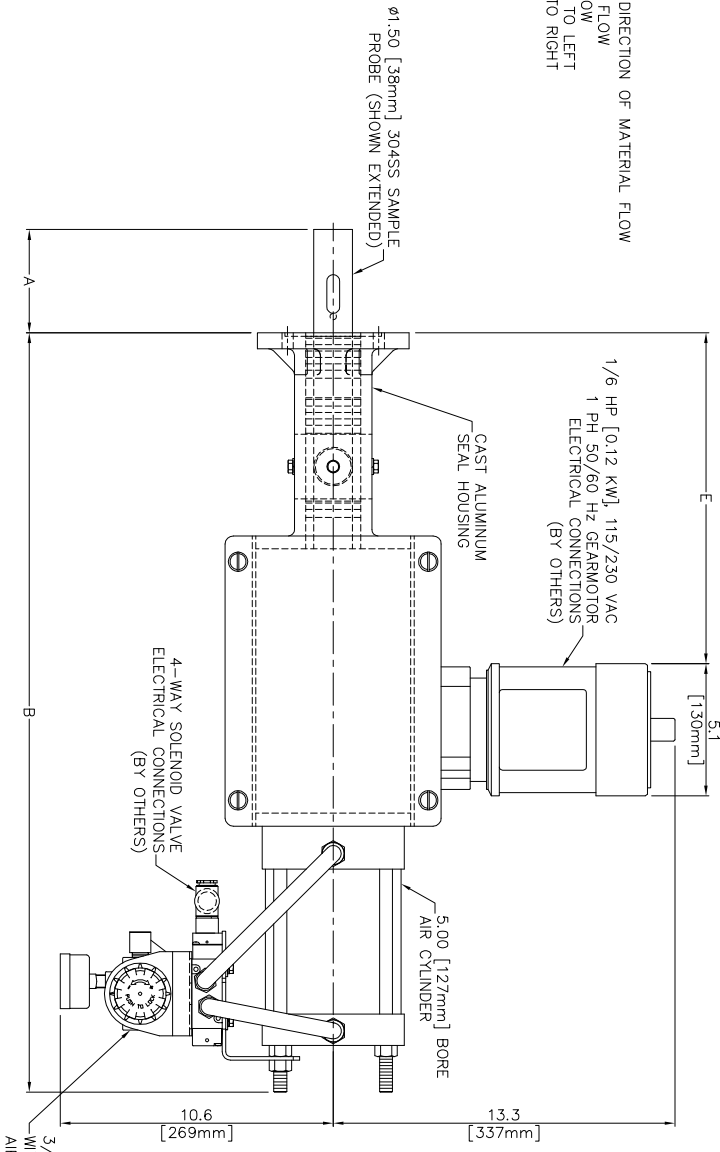
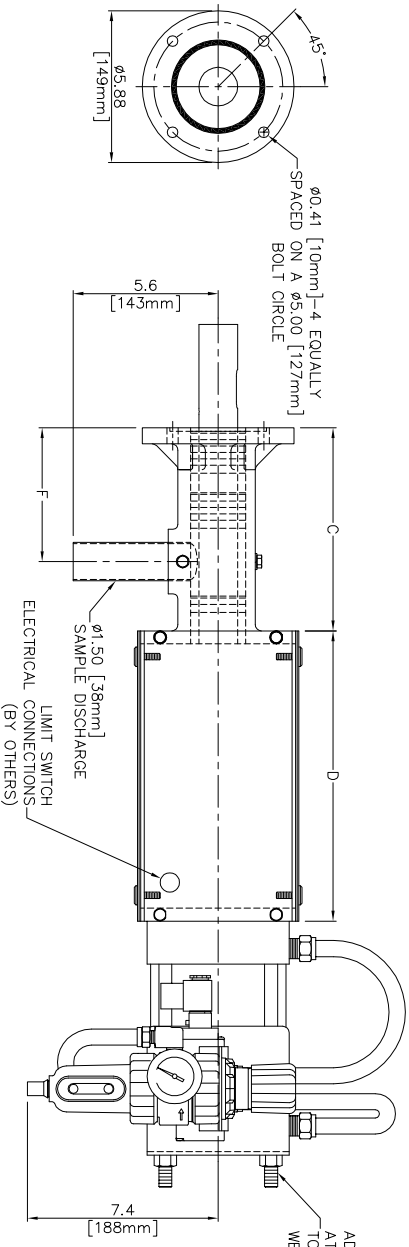


NOTE:
MOUNTING CLAMP OR PREMOUNT OPTIONAL

SPECIFY DIRECTION OF MATERIAL FLOW
 - DOWN FLOW
 - UP FLOW
 - RIGHT TO LEFT
 - LEFT TO RIGHT



PLAN VIEW



ELEVATION VIEW

IMPERIAL

| SAMPLER SIZE | A | B | C | D | E | F | APPROX. WEIGHT | AIR CONSUMPTION PER SAMPLE @ 80 PSI |
|--------------|------|------|------|------|------|------|----------------|-------------------------------------|
| PS-4 | 4.0 | 29.4 | 7.9 | 11.3 | 12.9 | 5.2 | 60 LBS | 0.7 SCFM |
| PS-6 | 6.0 | 35.4 | 9.9 | 13.3 | 16.9 | 7.2 | 70 LBS | 1.0 SCFM |
| PS-8 | 8.0 | 41.4 | 11.9 | 15.3 | 20.9 | 9.2 | 95 LBS | 1.3 SCFM |
| PS-10 | 10.0 | 47.4 | 13.9 | 17.3 | 24.9 | 11.2 | 110 LBS | 1.6 SCFM |
| PS-12 | 12.0 | 53.4 | 15.9 | 19.3 | 28.9 | 13.2 | 125 LBS | 1.9 SCFM |

METRIC

| SAMPLER SIZE | A | B | C | D | E | F | APPROX. WEIGHT | AIR CONSUMPTION PER SAMPLE @ 5.5 BARS |
|--------------|-----|------|-----|-----|-----|-----|----------------|---------------------------------------|
| PS-4 | 102 | 748 | 200 | 286 | 327 | 132 | 27 KG | 19.8 LITER / MINUTE |
| PS-6 | 152 | 900 | 251 | 337 | 429 | 183 | 32 KG | 28.3 LITER / MINUTE |
| PS-8 | 203 | 1053 | 302 | 387 | 531 | 234 | 43 KG | 36.8 LITER / MINUTE |
| PS-10 | 254 | 1205 | 352 | 438 | 632 | 285 | 50 KG | 45.3 LITER / MINUTE |
| PS-12 | 305 | 1357 | 403 | 489 | 734 | 336 | 57 KG | 53.8 LITER / MINUTE |

ADDITIONAL SUPPORT REQUIRED AT THIS LOCATION (BY OTHERS) TO SUPPORT APPROX. HALF SAMPLER WEIGHT. (TYPICAL ALL SIZES)

FOR REFERENCE ONLY
 INFORMATION SUBJECT TO CHANGE WITHOUT NOTICE
 SEE ENGINEERING FOR LATEST REVISION

| | | | |
|---|----------------------------------|-----------------------|----------------|
| QUANTITY | DESCRIPTION OF MATERIAL AND SIZE | ITEM NUMBER | TOTAL UNITS |
| BILL OF MATERIALS | | | |
| TYPE | U/M | PRODUCT CODE | REV. 1 OF 8/32 |
| P/N CODE | | FAMILY CODE | |
| CUSTOMER | CUSTOMER P.O. | ORDER NO. | |
| <p>TOLERANCES MANUFACTURED TO TYPICAL SHIP TOLERANCES UNLESS OTHERWISE SPECIFIED</p> <p>THIRD ANGLE PROJECTION</p> | | | |
| QTY REQ'D | DESCRIPTION | PS SAMPLER SIZE CHART | REV. D |
| <p>InterSystems™ 13330 I. St. Omaha, Ne. 68137 402-330-1500</p> | | | |
| DWG BY | DATE | ITEM NUMBER | REV. |
| RM | 11/89 | 514745 | D |
| SCALE | | ACAD FILE | |
| 4 | | 514745 | |
| | | SHEET | OF |
| | | 1 | 1 |