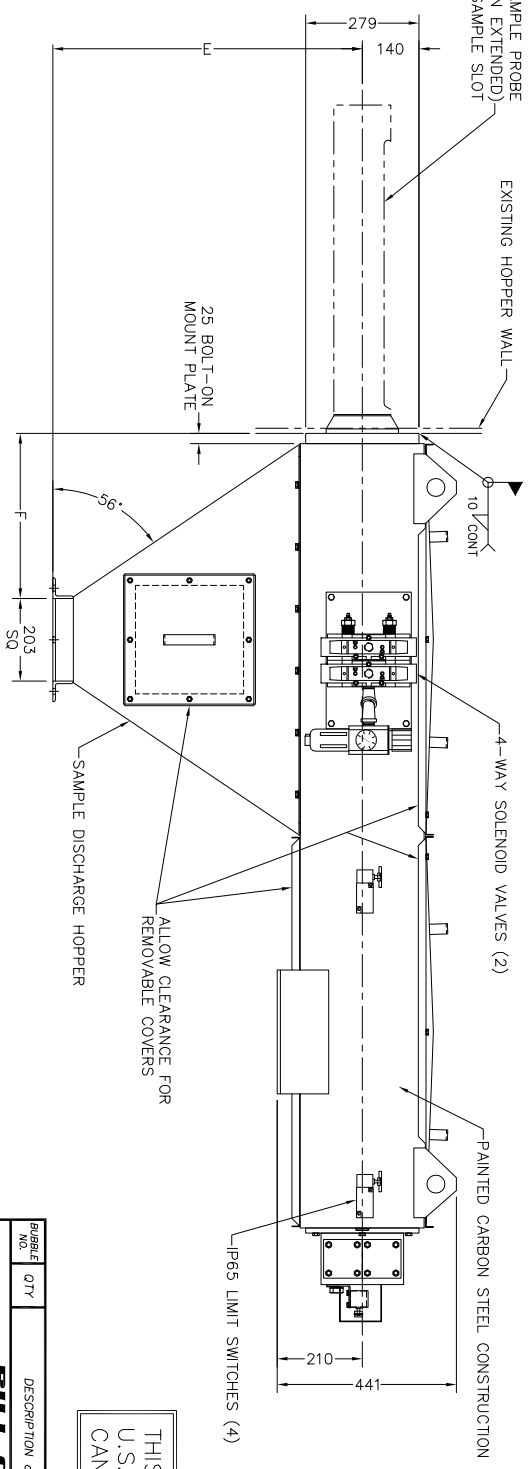
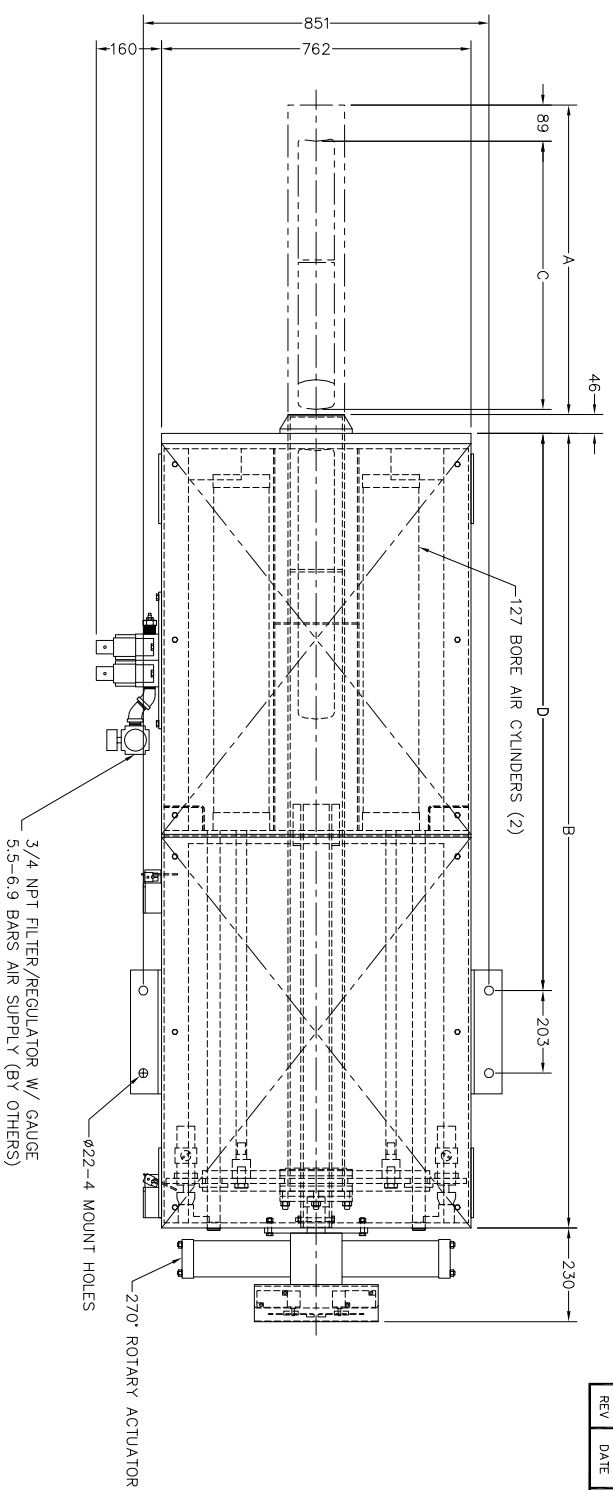
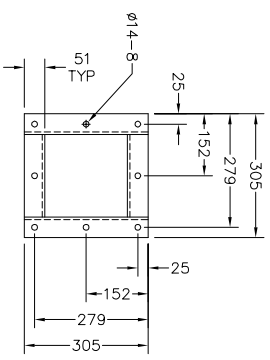


REV	DATE	DESCRIPTION	BY

REVISIONS 513090-M



SIZE	A	B	C	D	E	F	WEIGHT (Kg)	AIR CONSUMPTION LITERS PER MIN. PER SAMPLE @ 6.2 BARS
A	1041	203	686	419	178	364	174	
305	1346	356	914	533	254	409	228	
457	1651	508	1143	648	330	455	282	
610	1956	660	1372	762	406	500	336	
762	2261	813	1600	876	483	545	390	
914	2566	965	1829	991	559	591	444	
1067	2870	1117	2057	1105	635	636	498	
1219	3175	1270	2286	1219	711	682	552	
1372								



**FOR REFERENCE ONLY**  
 INFORMATION SUBJECT TO CHANGE WITHOUT NOTICE  
 SEE ENGINEERING FOR LATEST REVISION

THIS SAMPLER IS COVERED BY:  
 U.S. PATENT NO. 4,918,999  
 CANADIAN PATENT NO. 2,012,621

ITEM NO.	QTY	DESCRIPTION or MATERIAL AND SIZE	ITEM NUMBER	TOTAL UNITS
<b>BILL OF MATERIALS</b>				
TYPE	P/W CODE	U/M	PRODUCT CODE	FAMILY CODE
CUSTOMER		CUSTOMER P.O.		
		ORDER NO.		
TOLERANCES		QTY RECD		
MANUFACTURED TO TYPICAL SHOP TOLERANCES UNLESS OTHERWISE SPECIFIED		HD-PRT SAMPLER 5.5 SIZE CHART - METRIC		
THIRD ANGLE PROJECTION		DATE 1/94		
DRAWN BY KKW		ITEM NUMBER 513090-M		
SCALE 10		ACAD FILE 513090-M		
SHEET 1		OF 1		

**InterSystems™**  
 13330 1 St. Onondaga, Ne. 68137 402-330-1500