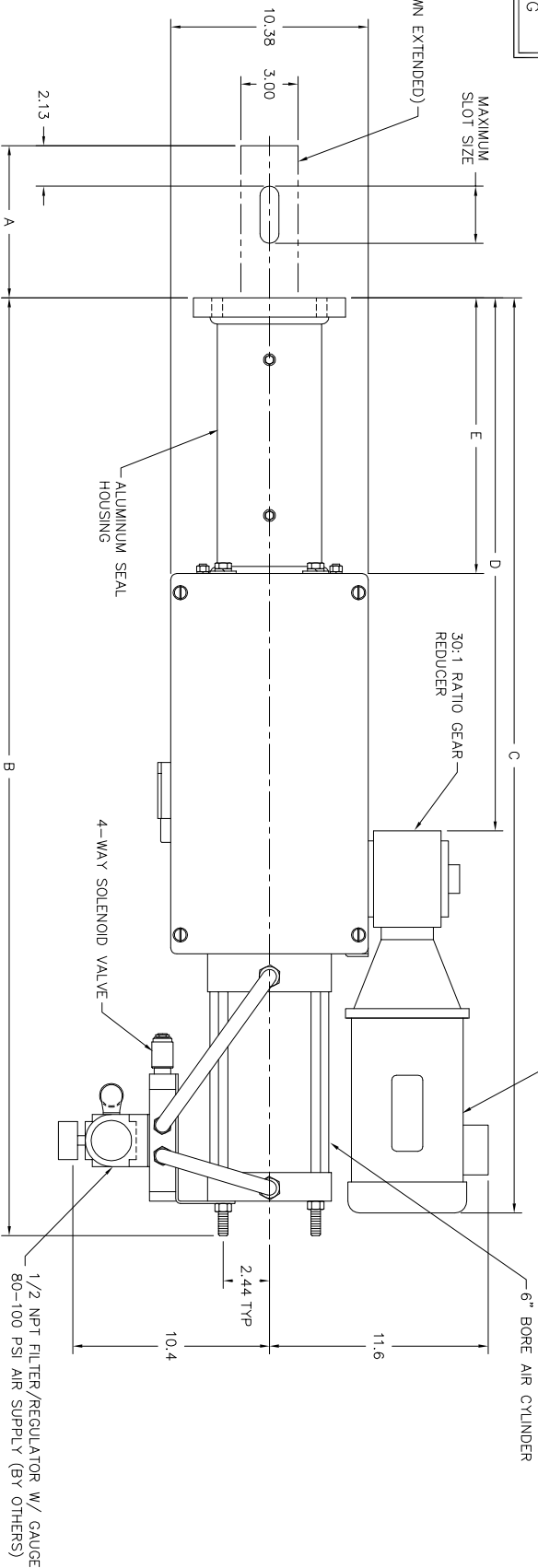
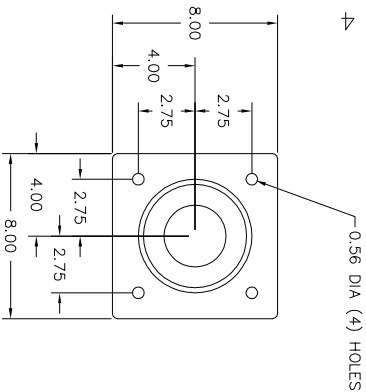


THIS SAMPLER IS COVERED BY:  
 U.S. PATENT NO. 5,154,087  
 CANADIAN PATENT PENDING

1/2 HP, 1PH, TEFC, C-FACE MOTOR  
 ELECTRICAL CONNECTIONS (BY OTHERS)

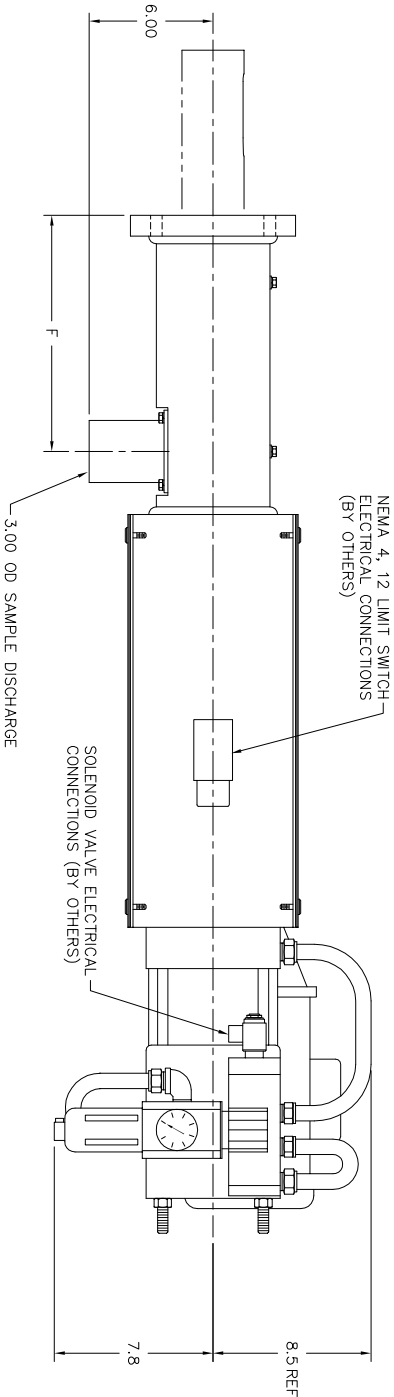


NOTE: MOUNTING CLAMP OR  
 PREMOUNT OPTIONAL



PLAN VIEW

ELEVATION VIEW



MOUNTING PATTERN

SAMPLER SIZE	A	B	C	D	E	F	AIR CONSUMPTION @ 100 PSI SCFM PER SAMPLE	MAXIMUM SLOT SIZE	WEIGHT
HD-PP-6	6.0	43.31	44.12	24.0	12.5	9.44	1.23	1-1/2 x 3	280
HD-PP-8	8.0	49.31	48.12	28.0	14.5	11.44	1.64	1-1/2 x 5	295
HD-PP-10	10.0	55.31	52.12	32.0	16.5	13.44	2.05	(2) 1-1/2 x 3-1/4	310
HD-PP-12	12.0	61.31	56.12	36.0	18.5	15.44	2.46	(2) 1-1/2 x 4-1/4	325
HD-PP-14	14.0	67.31	60.12	40.0	20.5	17.44	2.87	(2) 1-1/2 x 5-1/4	340
HD-PP-16	16.0	73.31	64.12	44.0	22.5	19.44	3.28	(3) 1-1/2 x 4	355
HD-PP-18	18.0	79.31	68.12	48.0	24.5	21.44	3.69	(3) 1-1/2 x 4-5/8	370

SPECIFY DIRECTION OF MATERIAL FLOW

- DOWN FLOW
- UP FLOW
- RIGHT TO LEFT FLOW
- LEFT TO RIGHT FLOW

**FOR REFERENCE ONLY**  
 INFORMATION SUBJECT TO CHANGE WITHOUT NOTICE  
 SEE ENGINEERING FOR LATEST REVISION

REV	DATE	DESCRIPTION	BY

REVISIONS 514195

FIGURE NO.	QTY	DESCRIPTION or MATERIAL AND SIZE	ITEM NUMBER	TOTAL UNITS
<b>BILL OF MATERIALS</b>				
CUSTOMER	TYPE	SOURCE	U/M	PRODUCT CODE
				FAMILY CODE
				CUSTOMER P.O. NO.
				ORDER NO.
TOLERANCES		QTY REQ'D		
MANUFACTURED TO TYPICAL SHOP TOLERANCES UNLESS OTHERWISE SPECIFIED		13330 I. St. Omaha, Ne. 68137 402-330-1500		
THIRD ANGLE PROJECTION		DESCRIPTION		
		HD-PP SAMPLER SIZE CHART		
DWG OR	DATE	DATE	ITEM NUMBER/DRAWING NUMBER	REV.
SCALE	5		ACAD FILE	
			514195	
			514195	

**InterSystems™**