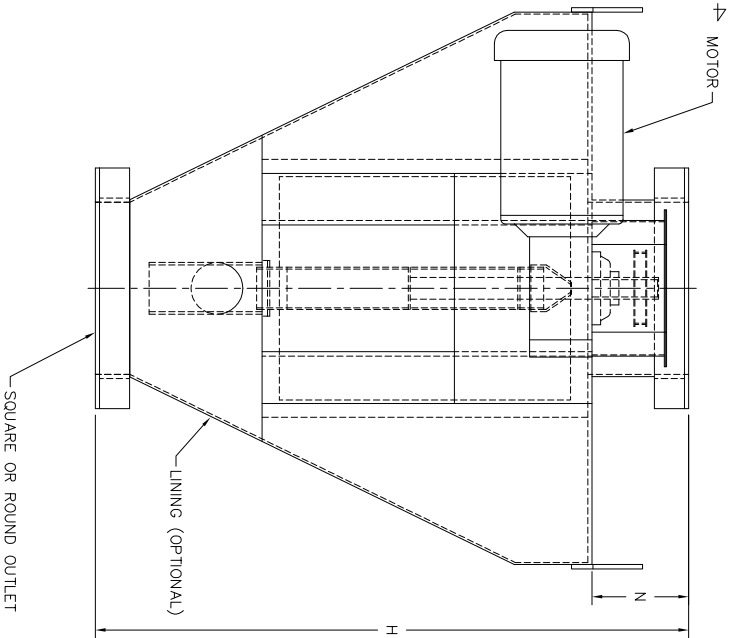
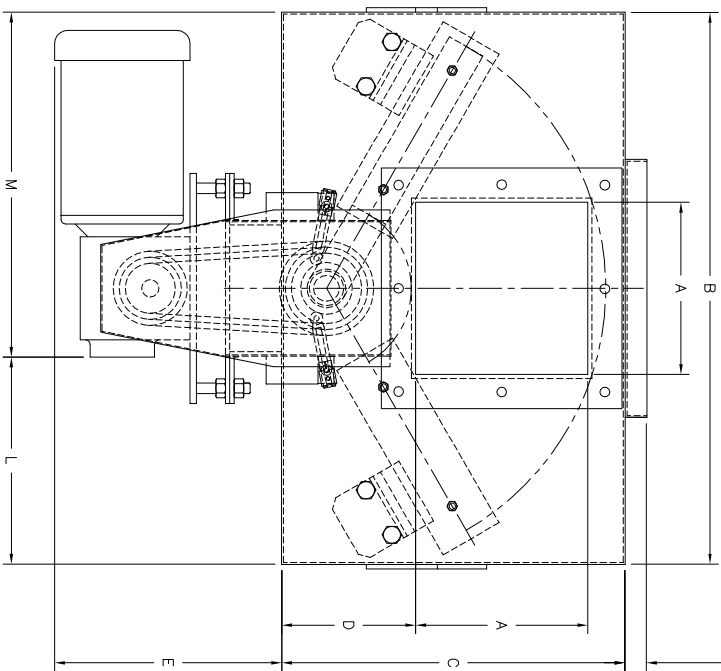
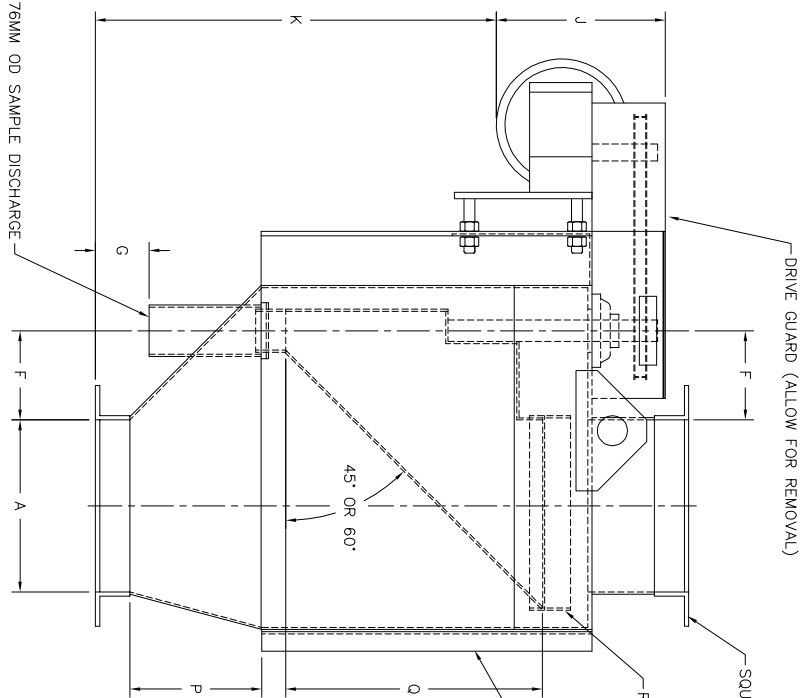


32MM (ALLOW FOR REMOVAL)



SAMPLER SIZE	A(MAX)	B	C	D	E	F	G@45°	G@60°	H@45°	H@60°	J	K@45°	K@60°
GRE-6	152	575	368	170	343	103	51	51	711	1010	249	424	721
GRE-10	254	816	508	198	343	132	79	102	876	1297	249	592	1013
GRE-14	356	1060	649	229	381	162	109	152	1067	1613	279	752	1299
GRE-18	457	1302	789	257	381	191	138	203	1232	1902	279	921	1591
GRE-22	559	1543	929	286	394	219	167	254	1422	2215	279	1089	1881
GRE-26	660	1787	1070	316	432	249	197	305	1600	2518	279	1261	2178
GRE-30	762	2032	1210	344	457	278	225	356	1819	2819	279	1429	2470
GRE-34	864	2381	1429	441	508	259	413	413	2134	3378	330	1676	1881
GRE-38	965	2639	1570	471	533	378	289	465	2311	3683	330	1849	2178
GRE-42	1067	2867	1710	500	559	406	318	514	2489	3975	330	2017	2470

SAMPLER SIZE	MOTOR SIZE										APPROXIMATE SAMPLER WT.		
	L	M	N	P@45°	P@60°	Q@45°	Q@60°	R	SIZE	45°	60°	HSG MAT'L	WT.
GRE-6	194	457	146	167	289	240	416	76	0.25kW	91	137	2.7 MM	
GRE-10	314	457	143	195	338	379	657	76	0.37kW	125	193	3.2 MM	
GRE-14	413	546	162	226	391	521	902	76	0.56kW	204	306	3.4 MM	
GRE-18	533	546	159	254	440	660	1141	76	0.56kW	284	442	3.4 MM	
GRE-22	654	546	181	283	489	800	1386	76	0.75kW	374	590	3.4 MM	
GRE-26	776	546	187	313	541	941	1630	76	0.75kW	476	748	4.8 MM	
GRE-30	898	546	197	341	591	1081	1873	76	0.75kW	590	930	4.8 MM	
GRE-34	1097	610	249	437	756	1251	2167	102	1.11kW	998	1452	6.4 MM	
GRE-38	1219	610	256	467	808	1392	2411	102	1.11kW	1089	1769	6.4 MM	
GRE-42	1341	610	265	495	857	1532	2654	102	1.11kW	1315	2132	6.4 MM	



FOR REFERENCE ONLY
 INFORMATION SUBJECT TO CHANGE WITHOUT NOTICE
 SEE ENGINEERING FOR LATEST REVISION

QUANTITY	DESCRIPTION or MATERIAL AND SIZE	ITEM NUMBER	TOTAL UNITS
BILL OF MATERIALS			
TYPE	P/M CODE	U/M	PRODUCT CODE
CUSTOMER		CUSTOMER P.O.	
ORDER NO.		ORDER NO.	
TOLERANCES MANUFACTURED TO TYPICAL SHOP TOLERANCES UNLESS OTHERWISE SPECIFIED THIRD ANGLE PROJECTION			
DESCRIPTION GRE SAMPLER SIZE CHART - METRIC			
13330 I. St. Omaha, Ne. 68137 402-330-1500			
DWG OR CAD BY	DATE	ITEM NUMBER	REV.
KMM	1/94	511080-M	A
SCALE		ACAD FILE	SHEET
6		511080-M	1 OF 1