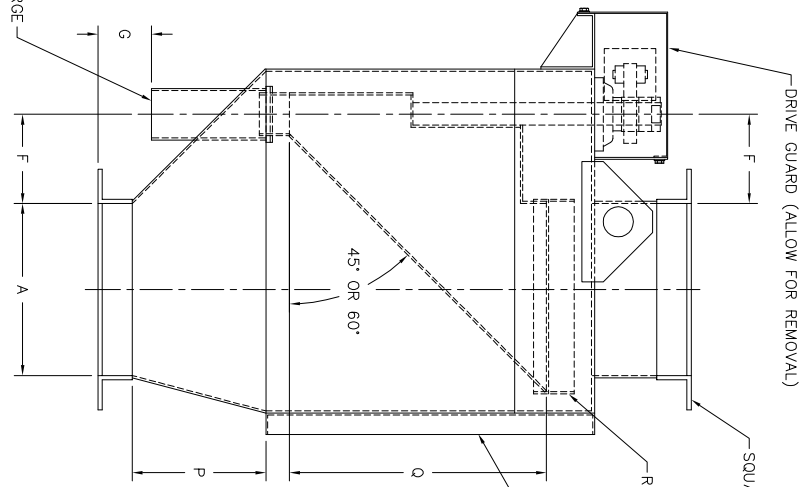
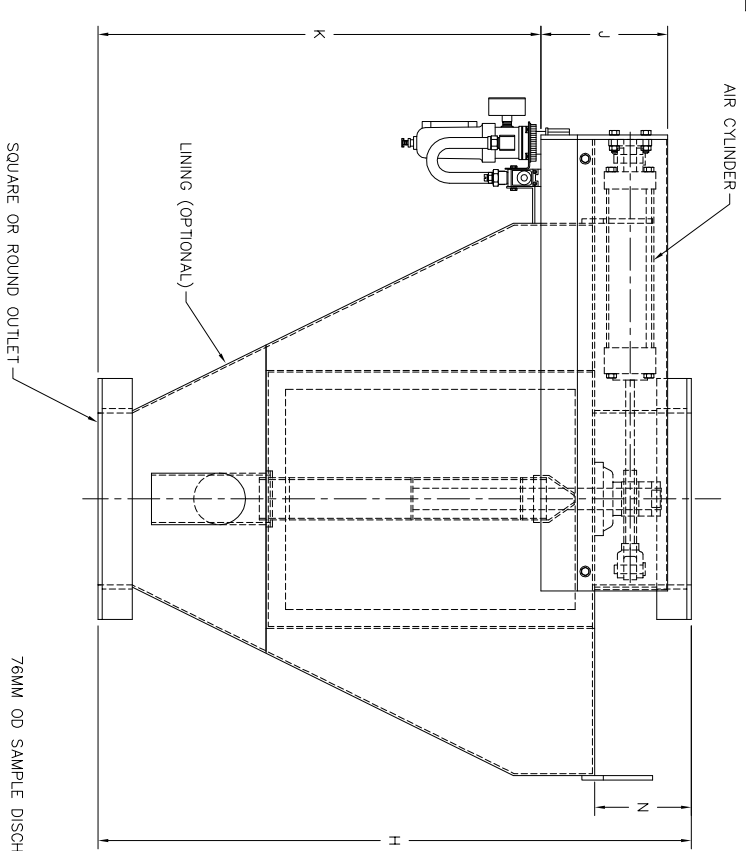
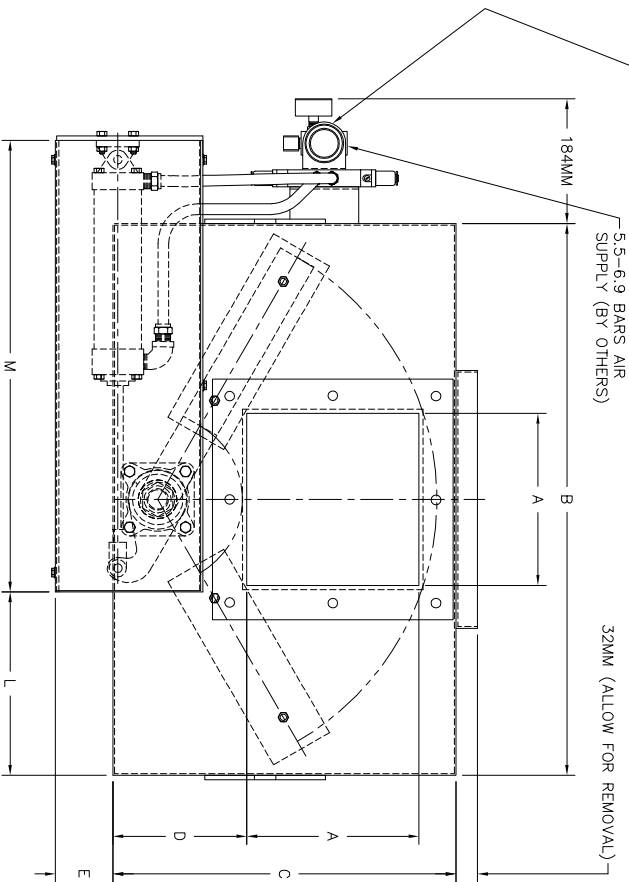


— FILTER/REGULATOR/SOLENOID VALVE ASSEMBLY



SAMPLER SIZE	A(MAX)	B	C	D	E	F	G@45°	G@60°	H@45°	H@60°	J	K@45°	K@60°
GRA-6	152	575	368	170	84	103	51	51	711	1010	249	424	721
GRA-10	254	816	508	198	84	132	79	102	876	1297	249	592	1013
GRA-14	356	1060	649	229	122	162	109	152	1067	1613	279	752	1299
GRA-18	457	1302	789	257	122	191	138	203	1232	1902	279	921	1591
GRA-22	559	1543	929	286	122	219	167	254	1422	2215	279	1089	1881
GRA-26	660	1787	1070	316	122	249	197	305	1600	2518	279	1261	2178
GRA-30	762	2032	1210	344	122	278	225	356	2819	2819	279	1429	2470

SAMPLER SIZE	AIR CONSUMPTION @ 5.5 BARS LITERS PER MIN. PER SAMPLE												APPROX. SAMPLER WEIGHT (KGS)			
	L	M	N	P@45°	P@60°	Q@45°	Q@60°	R@45°	R@60°	S@45°	S@60°	T@45°	T@60°	45°	60°	HSG MAT'L
GRA-6	151	673	146	167	289	240	416	10.2	113	79	125	2.7	MM			
GRA-10	272	673	143	195	338	379	657	10.2	181	181	284	3.4	MM			
GRA-14	359	864	162	226	391	521	902	16.7	181	284	420	3.4	MM			
GRA-18	480	864	159	254	440	660	1141	16.7	261	352	567	3.4	MM			
GRA-22	600	940	181	283	489	800	1386	25.8	352	567	726	3.4	MM			
GRA-26	722	940	187	313	541	941	1630	25.8	454	726	908	3.4	MM			
GRA-30	845	940	197	341	591	1081	1873	25.8	567	908	1141	3.4	MM			

FOR REFERENCE ONLY
 INFORMATION SUBJECT TO CHANGE WITHOUT NOTICE
 SEE ENGINEERING FOR LATEST REVISION

REV	DATE	DESCRIPTION	BY

REVISIONS 511079-M

FIGURE NO.	QTY	DESCRIPTION or MATERIAL AND SIZE	ITEM NUMBER	TOTAL UNITS
BILL OF MATERIALS				
TYPE	—	U/M	PRODUCT CODE	—
SOURCE	—	—	FAMILY CODE	—
CUSTOMER	—	CUSTOMER P.O.	—	—
—	—	ORDER NO.	—	—
TOLERANCES		QTY RECD		
MANUFACTURED TO TYPICAL SHOP TOLERANCES UNLESS OTHERWISE SPECIFIED		13330 I. St. Omaha, Ne. 68137 402-330-1500		
THIRD ANGLE PROJECTION		InterSystems™		
DESCRIPTION		GRA SAMPLER SIZE CHART - METRIC		
DWG OR	DATE	DATE	ITEM NUMBER/DRAWING NUMBER	REV
KMW	1/94	—	511079-M	A
SCALE	6	SCALE	ACAD FILE	511079-M
			SHEET	1 OF 1